

M8 FEMALE 0° FIELD-WIREABLE (SOLDER PINS)3-pol. 0.25mm²

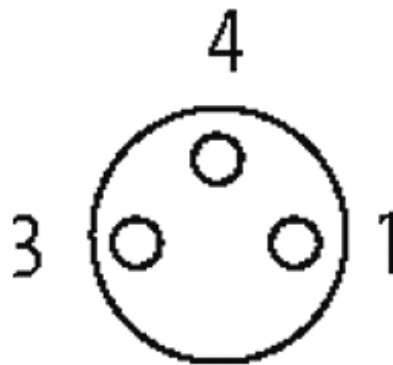
Female straight

M8, 3-pole

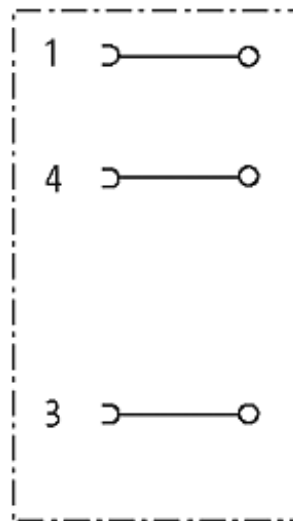
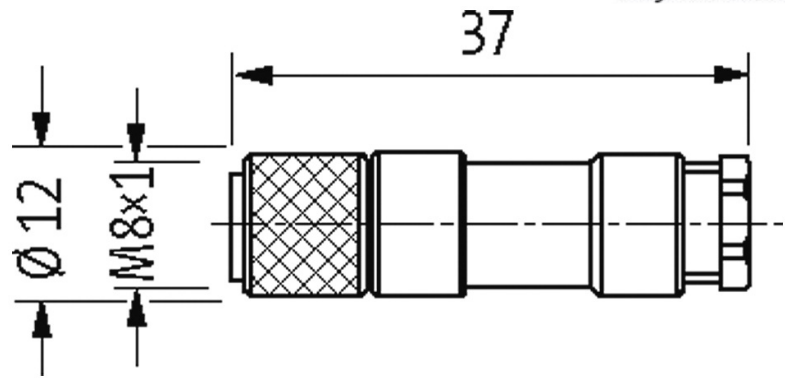
with solder pins

Connection cross section: max. 0.25 mm²[Link to Product](#)**Illustration**

Female



stay connected



Product may differ from Image

Form

Form 08481

Technical Data

Operating voltage	max. 60 V AC/DC
Operating current per contact	max. 4 A
Connection cross section	max. 0.25 mm ²
Sealing range (cable Ø)	3.5...5.0 mm
Protection	IP67 inserted and tightened (EN 60529)

General data

Temperature range	-25...+85 °C
Dimensions H×W×D	37×12×12 mm

Commercial data

country of origin	DE
customs tariff number	85366990
EAN	4048879224628
eClass	27279221
Packaging unit	1